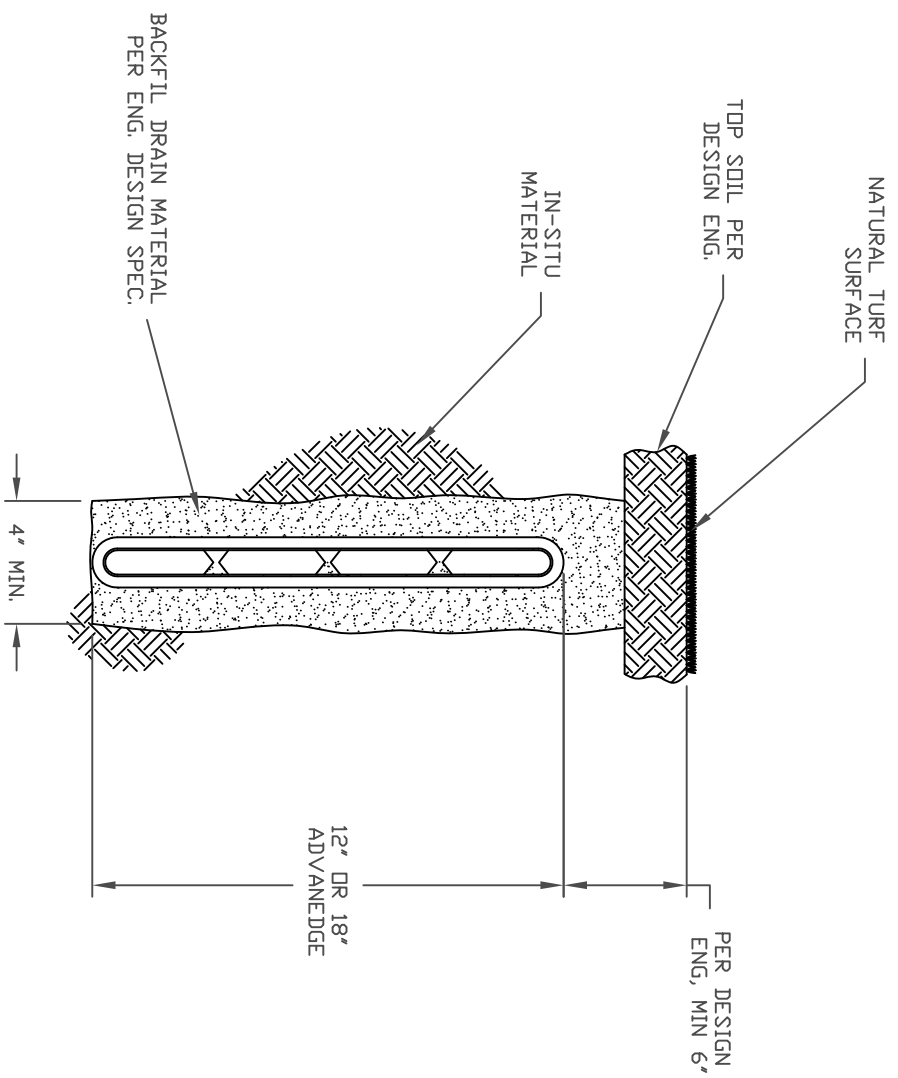


NATURAL ATHLETIC FIELD VERTICAL TRENCH DETAIL



- NOTES:
1. PIPE INSTALLATION DEPTH, SPACING, SLOPE AND BACKFILL MATERIAL SHALL BE DETERMINED AND SPECIFIED BY DESIGN ENGINEER.
 2. THE USE OF FABRIC AROUND ADVANEDGE DR IN THE TRENCH SHALL BE DETERMINED BY DESIGN ENGINEER TAKING INTO ACCOUNT THE PARTICLE SIZE DISTRIBUTION OF THE BACKFILL AND INSITU MATERIAL.

ADVANCED DRAINAGE SYSTEMS, INC. ("ADS") HAS PREPARED THIS DETAIL BASED ON INFORMATION PROVIDED TO ADS. THIS DRAWING IS INTENDED TO DEPICT THE COMPONENTS AS REQUESTED. ADS HAS NOT PERFORMED ANY ENGINEERING OR DESIGN SERVICES FOR THIS PROJECT, NOR HAS ADS INDEPENDENTLY VERIFIED THE INFORMATION SUPPLIED. THE INSTALLATION DETAILS PROVIDED HEREIN ARE GENERAL RECOMMENDATIONS AND ARE NOT SPECIFIC FOR THIS PROJECT. THE DESIGN ENGINEER SHALL REVIEW THESE DETAILS PRIOR TO CONSTRUCTION. IT IS THE DESIGN ENGINEER'S RESPONSIBILITY TO ENSURE THE DETAILS PROVIDED HEREIN MEETS OR EXCEEDS THE APPLICABLE NATIONAL, STATE, OR LOCAL REQUIREMENTS AND TO ENSURE THAT THE DETAILS PROVIDED HEREIN ARE ACCEPTABLE FOR THIS PROJECT.

REV.	DESCRIPTION	BY	MM/DD/YY	CHK'D
	NATURAL ATHLETIC FIELD VERTICAL TRENCH DETAIL			
DRAWING NUMBER: STD-1220				

<p>ADS ADVANCED DRAINAGE SYSTEMS, INC.</p>	<p>4640 TRUEMAN BLVD HILLIARD, OHIO 43026</p>
---	---

DATE: 08/26/11	DRAWN BY: NTS
SCALE: 1" = 1'	CHECKED BY: AVM