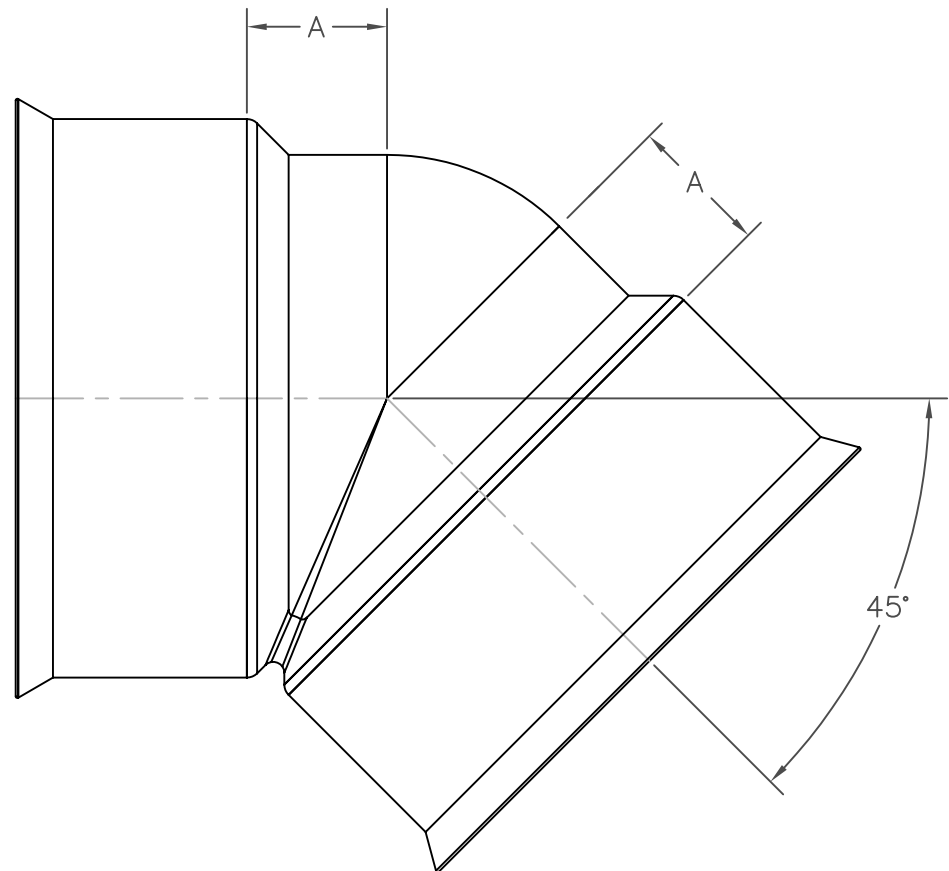


INJECTION MOLDED 45° BENDS 4"–12" DIAMETERS

PART#	PIPE SIZE	A
0494WT	4 in (100 mm)	1.28 in (33 mm)
0494ST	4 in (100 mm)	1.28 in (33 mm)
0694WT	6 in (150 mm)	1.81 in (46 mm)
0694ST	6 in (150 mm)	1.81 in (46 mm)
0894WT	8 in (200 mm)	2.38 in (60 mm)
0894ST	8 in (200 mm)	2.38 in (60 mm)
1094WT	10 in (250 mm)	3.43 in (87 mm)
1094ST	10 in (250 mm)	3.43 in (87 mm)
1294WT	12 in (300 mm)	4.42 in (112 mm)
1294ST	12 in (300 mm)	4.42 in (112 mm)




NOTE:

FITTINGS WHOSE PART NUMBERS END WITH "WT" HAVE WATER TIGHT BELL CONNECTIONS. WATER TIGHT BELLS ARE SHOWN HERE IN THIS DRAWING AND REQUIRE GASKETS TO BE FITTED TO N-12 PIPE TO FORM A WATER TIGHT JOINT.

FITTINGS WHOSE PART NUMBERS END WITH "ST" HAVE SOIL TIGHT BELL CONNECTIONS. SOIL TIGHT BELLS HAVE MOLDED CLEATS AND REQUIRE NO GASKET TO MAKE CONNECTION TO N-12 PIPE.

NOTE: ALL DIMENSIONS ARE NOMINAL

			REVISIONS	
			BY	DATE
			JAB	04.20.05
DRAWN BY	07.24.02	APPROVED BY	10.05.02	DRAWING #
JDP		AWM		3200