

## ADS FLARED END SECTION SPECIFICATION

### Scope

This specification describes 12- through 36-inch (300 to 900mm) ADS Flared End Sections for use in culvert and drainage outlet applications.

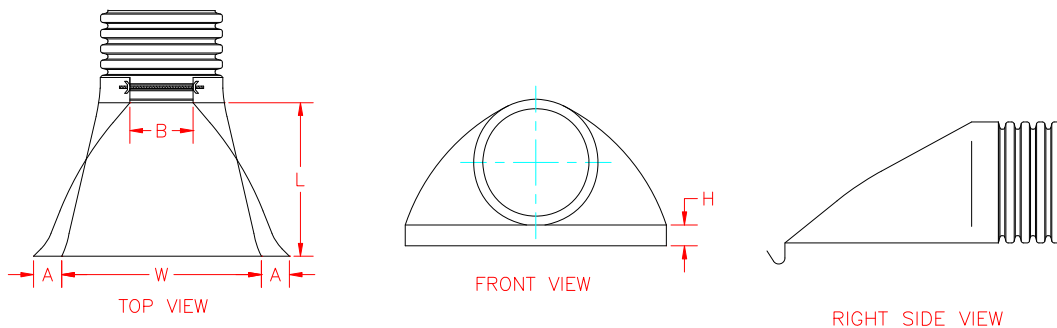
### Requirements

The invert of the pipe and the end section shall be at the same elevation. The ADS Flared End Section shall be high density polyethylene meeting ASTM D3350 minimum cell classification 213320C; contact manufacturer for additional cell classification information. When provided, the metal threaded fastening rod shall be stainless steel.

### Installation

Installation shall be in accordance with ADS installation instructions and with those issued by state or local authorities. Contact your local ADS representative or visit [www.ads-pipe.com](http://www.ads-pipe.com) for the latest installation instructions.

PIPE DIAMETER, in (mm)						
Diameter in (mm)	12 (300)	15 (375)	18 (450)	24 (600)	30 (750)	36 (900)
A	6.5 (165)	6.5 (165)	7.5 (191)	7.5 (191)	7.5 (191)	7.5 (191)
B (max)	10.0 (254)	10.0 (254)	15.0 (381)	18.0 (475)	22.0 (559)	25.0 (635)
H	6.5 (165)	6.5 (165)	6.5 (165)	6.5 (165)	8.6 (218)	8.6 (218)
L	25.0 (635)	25.0 (635)	32.0 (813)	36.0 (914)	58.0 (1473)	58.0 (1473)
W	29.0 (737)	29.0 (737)	35.0 (889)	45.0 (1143)	63.0 (1600)	63.0 (1600)



Product detail may differ slightly from actual product appearance.