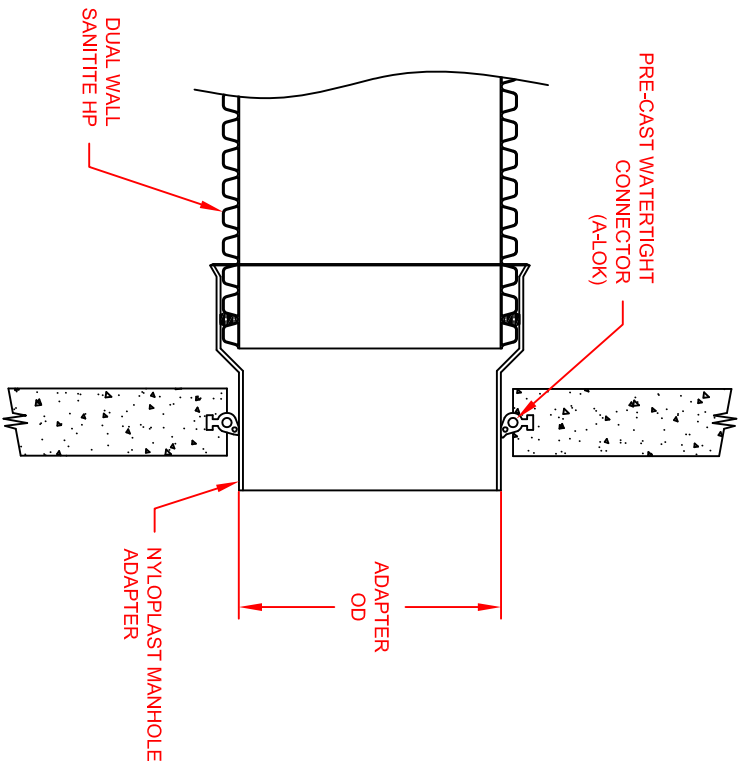
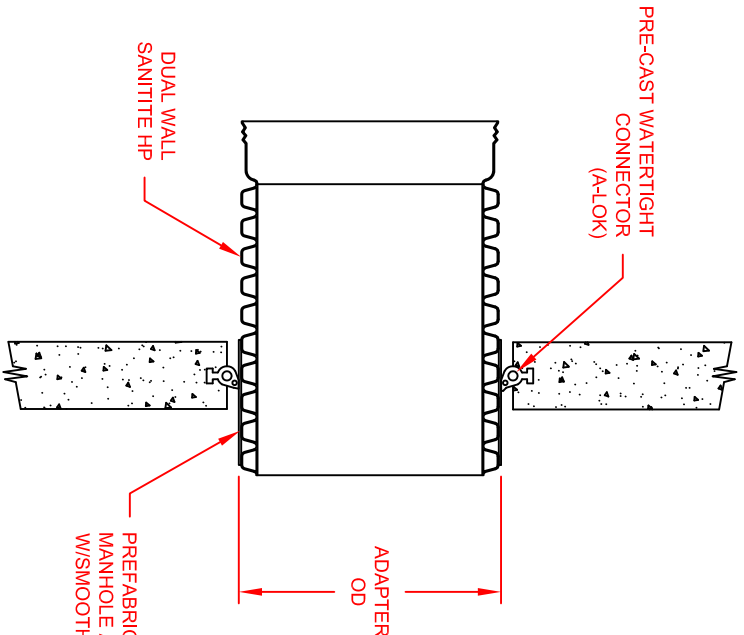


12"-30" DUAL WALL SANITITE® HP WATERTIGHT CONNECTION USING A PRE-CAST COMPRESSION GASKET



PIPE SIZE (IN)	PREFABRICATED MANHOLE ADAPTER W/SMOOTH EXTERIOR		NYLOPLAST EXTENDED MANHOLE ADAPTER	
	ADAPTER OD (IN)	ADS ADAPTER PRODUCT CODES	ADAPTER OD (IN)	NYLOPLAST PRODUCT CODES
12	14.82	1222ANPB	480	1257AGHPL
15	18.06	1522ANPB	580	1557AGHPL
18	21.71	1822ANPB	710	1857AGHPL
24	28.90	2422ANPB	920	2457AGHPL
30	36.30	3022ANPB	1180	3057AGHPL

* THIRD PARTY - CODES AS SUPPLIED BY MANUFACTURER
A-L-OK is a registered trademark of A-L-OK Products, Inc. (www.a-lok.com)

© 2010 ADS, INC.


ADVANCED DRAINAGE SYSTEMS, INC. ("ADS") HAS PREPARED THIS DETAIL BASED ON INFORMATION PROVIDED TO ADS. THIS DRAWING IS INTENDED TO DEPICT THE COMPONENTS AS REQUESTED. ADS HAS NOT PERFORMED ANY ENGINEERING OR DESIGN SERVICES FOR THIS PROJECT, NOR HAS ADS INDEPENDENTLY VERIFIED THE INFORMATION SUPPLIED. THE INSTALLATION DETAILS PROVIDED HEREIN ARE GENERAL RECOMMENDATIONS AND ARE NOT SPECIFIC FOR THIS PROJECT. THE DESIGN ENGINEER SHALL REVIEW THESE DETAILS PRIOR TO CONSTRUCTION. IT IS THE DESIGN ENGINEERS RESPONSIBILITY TO ENSURE THE DETAILS PROVIDED HEREIN MEETS OR EXCEEDS THE APPLICABLE NATIONAL, STATE, OR LOCAL REQUIREMENTS AND TO ENSURE THAT THE DETAILS PROVIDED HEREIN ARE ACCEPTABLE FOR THIS PROJECT.

NOTES:
PERFORMANCE HIGHLY DEPENDENT ON INSTALLATION. CONTRACTOR MUST ENSURE MANHOLE GASKET IS UNIFORMLY SEATED AROUND STRUCTURE ADAPTER. EXTRA PRECAUTIONS MUST BE TAKEN TO PREVENT DIFFERENTIAL SETTLEMENT BETWEEN THE PIPE AND MANHOLE.
SEE STANDARD DETAIL STD-201 AND TECHNICAL NOTE: 5.04 HDPE CONNECTIONS TO MANHOLES AND STRUCTURES FOR INSTALLATION RECOMMENDATIONS.

REV.	DESCRIPTION	TJR	10/07/10	BY	MM/DD/YY	CHK'D
2	GENERAL REVISION					

**WATERTIGHT STRUCTURE
12"-30" SANITARY DETAIL**

DRAWING NUMBER: **STD-205A**



4640 TRUJEMAN BLVD
HILLIARD, OHIO 43026

DATE: 4/3/09
DRAWN BY: NTS
SCALE: 1 OF 1