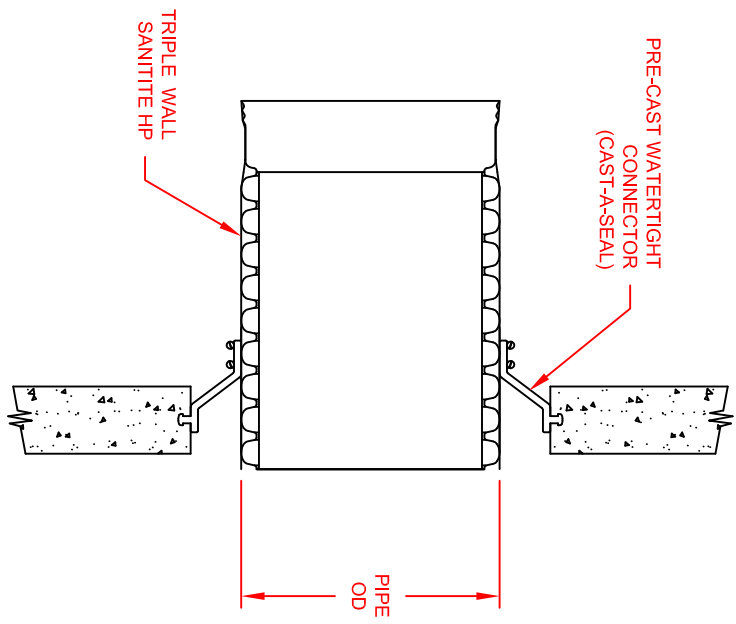
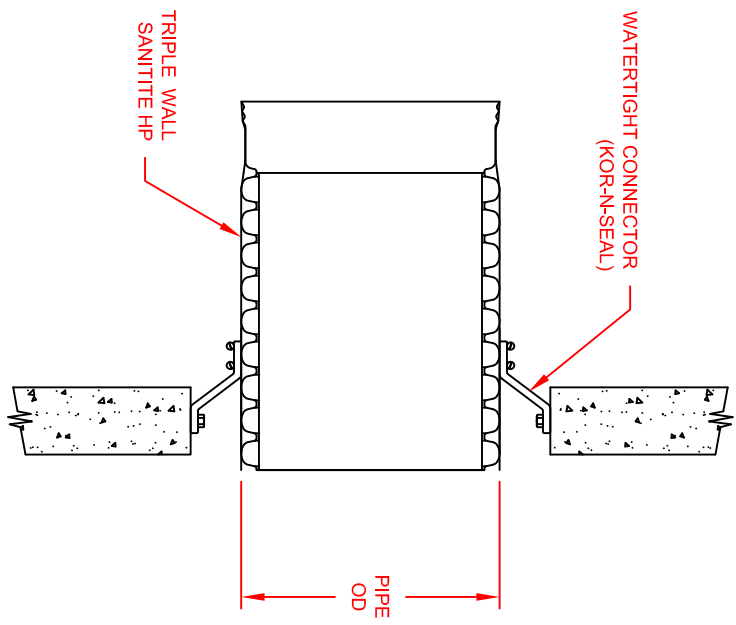


30"-60" TRIPLE WALL SANITITE® HP WATERTIGHT CONNECTION USING A MANHOLE BOOT (CORED HOLE OR PRE-CAST)



PIPE SIZE (IN)	PIPE OD (IN)	KOR-N-SEAL®*			CAST-A-SEAL®*
		SERIES I OR II	SERIES 306		
30	35.4	S206-38L	S306-38L	CAS 802	
36	41.1	S206-44L	S306-44L	CAS 802	
48	53.8	N/A	N/A	CAS 802	
60	66.5	N/A	N/A	CAS 802	

* THIRD PARTY - CODES AS SUPPLIED BY MANUFACTURER
 KOR-N-SEAL is a registered trademark of NPC, Inc. (www.npc.com)
 CAST-A-SEAL is a registered trademark of PRESS-SEAL GASKET CORPORATION. (www.press-seal.com)

© 2010 ADS, INC.

ADVANCED DRAINAGE SYSTEMS, INC. ("ADS") HAS PREPARED THIS DETAIL BASED ON INFORMATION PROVIDED TO ADS. THIS DRAWING IS INTENDED TO DEPICT THE COMPONENTS AS REQUESTED. ADS HAS NOT PERFORMED ANY ENGINEERING OR DESIGN SERVICES FOR THIS PROJECT, NOR HAS ADS INDEPENDENTLY VERIFIED THE INFORMATION SUPPLIED. THE INSTALLATION DETAILS PROVIDED HEREIN ARE GENERAL RECOMMENDATIONS AND ARE NOT SPECIFIC FOR THIS PROJECT. THE DESIGN ENGINEER SHALL REVIEW THESE DETAILS PRIOR TO CONSTRUCTION. IT IS THE DESIGN ENGINEERS RESPONSIBILITY TO ENSURE THE DETAILS PROVIDED HEREIN MEETS OR EXCEEDS THE APPLICABLE NATIONAL, STATE, OR LOCAL REQUIREMENTS AND TO ENSURE THAT THE DETAILS PROVIDED HEREIN ARE ACCEPTABLE FOR THIS PROJECT.

NOTES:
 PERFORMANCE HIGHLY DEPENDENT ON INSTALLATION. CONTRACTOR MUST ENSURE MANHOLE GASKET IS UNIFORMLY SEATED AROUND STRUCTURE ADAPTER. EXTRA PRECAUTIONS MUST BE TAKEN TO PREVENT DIFFERENTIAL SETTLEMENT BETWEEN THE PIPE AND MANHOLE.
 THE CAST-A-SEAL CONNECTION IS FOR USE WITH SQUARE MANHOLES ONLY.
 SEE STANDARD DETAIL STD-201 AND TECHNICAL NOTE: 5.04 HDPE CONNECTIONS TO MANHOLES AND STRUCTURES FOR INSTALLATION RECOMMENDATIONS.

REV.	GENERAL REVISIONS	DESCRIPTION	BY	DATE	CHKD
1			CKM	2/22/10	

WATERTIGHT STRUCTURE 30"-60" SANITARY DETAIL		<p>ADVANCED DRAINAGE SYSTEMS, INC.</p> <p>4640 TRULEMAN BLVD HILLIARD, OHIO 43026</p>	DATE: 4/3/09 DRAWN BY: NTS SCALE: 1 OF 1
DRAWING NUMBER: STD-205E			