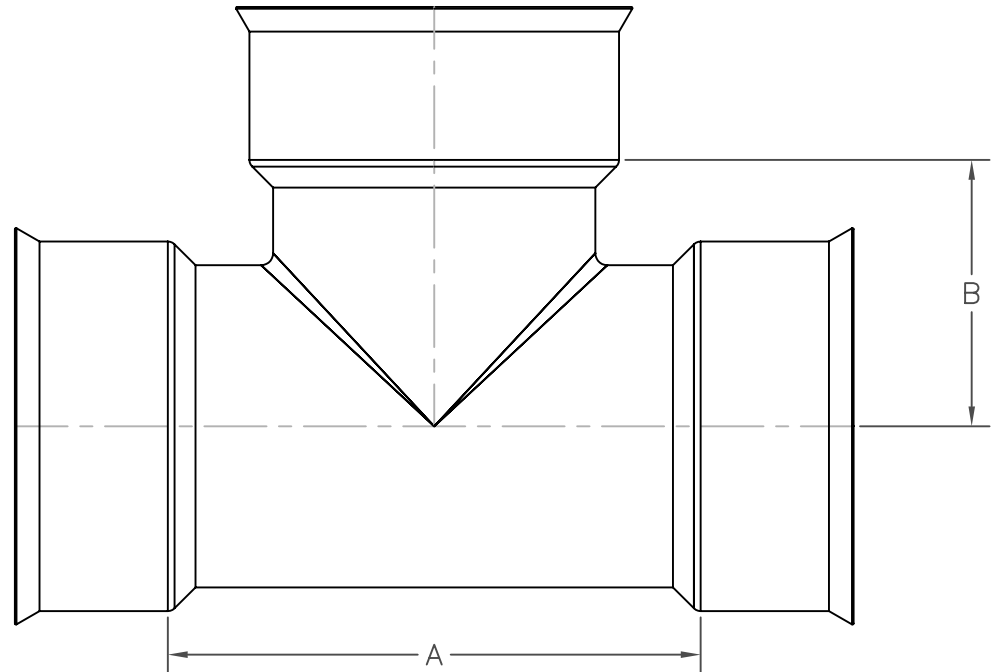


INJECTION MOLDED TEES 4"–12" DIAMETERS

PART#	PIPE SIZE	A	B
0460WT	4 in (100 mm)	7.35 in (187 mm)	3.68 in (93 mm)
0460ST	4 in (100 mm)	7.35 in (187 mm)	3.68 in (93 mm)
0661WT	6 in (150 mm)	10.48 in (266 mm)	5.24 in (133 mm)
0661ST	6 in (150 mm)	10.48 in (266 mm)	5.24 in (133 mm)
0862WT	8 in (200 mm)	13.78 in (350 mm)	6.89 in (175 mm)
0862ST	8 in (200 mm)	13.78 in (350 mm)	6.89 in (175 mm)
1063WT	10 in (250 mm)	17.87 in (454 mm)	8.93 in (227 mm)
1063ST	10 in (250 mm)	17.87 in (454 mm)	8.93 in (227 mm)
1264WT	12 in (300 mm)	22.53 in (572 mm)	11.26 in (286 mm)
1264ST	12 in (300 mm)	22.53 in (572 mm)	11.26 in (286 mm)




NOTE:

FITTINGS WHOSE PART NUMBERS END WITH "WT" HAVE WATER TIGHT BELL CONNECTIONS. WATER TIGHT BELLS ARE SHOWN HERE IN THIS DRAWING AND REQUIRE GASKETS TO BE FITTED TO N-12 PIPE TO FORM A WATER TIGHT JOINT.

FITTINGS WHOSE PART NUMBERS END WITH "ST" HAVE SOIL TIGHT BELL CONNECTIONS. SOIL TIGHT BELLS HAVE MOLDED CLEATS AND REQUIRE NO GASKET TO MAKE CONNECTION TO N-12 PIPE.

NOTE: ALL DIMENSIONS ARE NOMINAL

			REVISIONS	
		BY	DATE	
		JAB	4.20.05	
DRAWN BY	07.24.02	APPROVED BY	10.05.02	DRAWING #
JDP		AWM		3000