

## ADS N-12 ST IB PIPE SPECIFICATION FOR BNQ 3624-120

### Scope

This specification describes 100 to 900 mm (4- through 36-inch) ADS N-12 ST IB pipe for use in gravity-flow drainage applications.

### Pipe Requirements

ADS Canada N-12 WT IB pipe shall have a smooth interior and annular exterior corrugations.

- 100 to 900 mm (4- through 36-inch) shall meet BNQ 3624-120.
- 100 to 900 mm (4- through 36-inch) shall meet a minimum pipe stiffness of 320 kPa (46 psi) or 210 kPa (30.5 psi) when tested in accordance with ASTM D 2412.
- Manning’s “n” value for use in design shall be 0.012.

### Joint Performance

Pipe shall be joined using a bell & spigot joint meeting ASTM F2306. The joint shall be soil-tight and gaskets, when applicable, shall meet the requirements of ASTM F477. Gaskets shall be installed by the pipe manufacturer and covered with a removable wrap to ensure the gasket is free from debris. A joint lubricant supplied by the manufacturer shall be used on the gasket and bell during assembly.

### Material Properties

Virgin material for pipe production shall be high density polyethylene conforming with the minimum requirements of cell classification 424420C for 100 to 250mm (4- through 10-inch) diameters, or 435400C for 300 to 900mm (12- through 36-inch) diameters, as defined and described in the latest version of ASTM D3350, except that carbon black content should not exceed 4%.

### Installation

Installation shall be in accordance with BNQ 1809-300 and ADS published installation guidelines with the exception that minimum cover in trafficked areas for 100 to 900 mm (4- through 36-inch) diameters shall be one foot (0.3 m) Contact your local ADS representative or visit our website at [www.ads-pipe.com](http://www.ads-pipe.com) for a copy of the latest installation guidelines.

### Pipe Dimensions

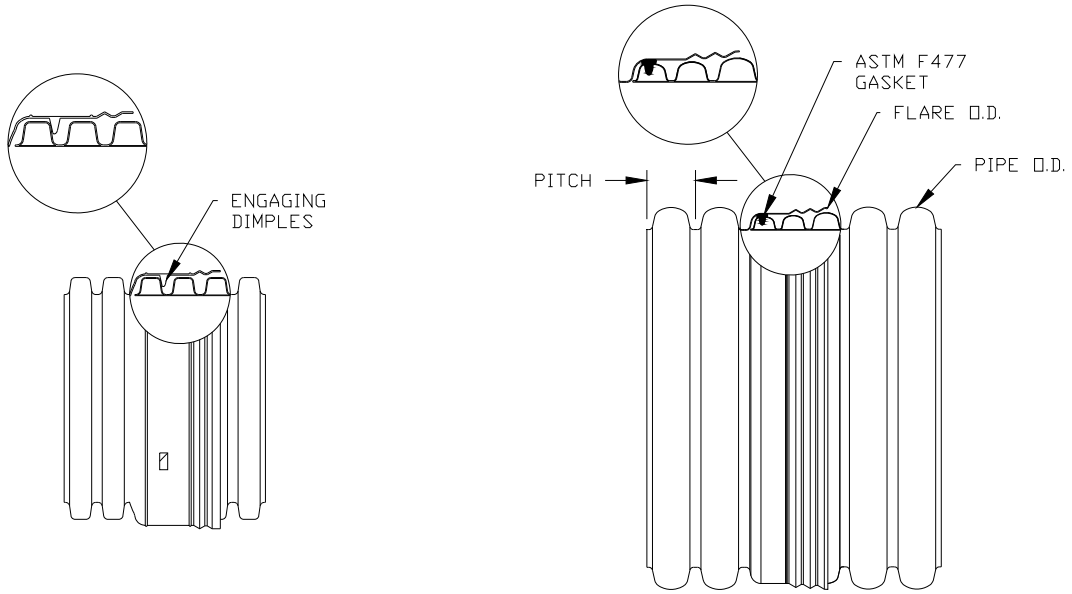
	Nominal Diameter, in (mm)									
Pipe I.D. mm (in)	100 (4)	150 (6)	200 (8)	250 (10)	300 (12)	375 (15)	450 (18)	600 (24)	750 (30)	900 (36)
Pipe O.D.** mm (in)	122 (4.8)	175 (6.9)	231 (9.1)	290 (11.4)	368 (14.5)	457 (18)	533 (21)	711 (28)	914 (36)	1067 (42)
Minimum Pipe Stiffness* kPa (pii)	320 (46)	320 (46)	320 (46)	320 (46)	320 (46)	320 (46)	320 (46)	320 (46)	320 (46)	320 (46)
	210 (30)	210 (30)	210 (30)	210 (30)	210 (30)	210 (30)	210 (30)	210 (30)	210 (30)	210 (30)
Perforations	All diameters available with or without perforations.									

\*Check with sales representative for availability by region and ordering.

\*\*Pipe O.D. values are provided for reference purposes only, values stated for 300 to 900mm are ± 26mm. Contact a sales representative for exact values.

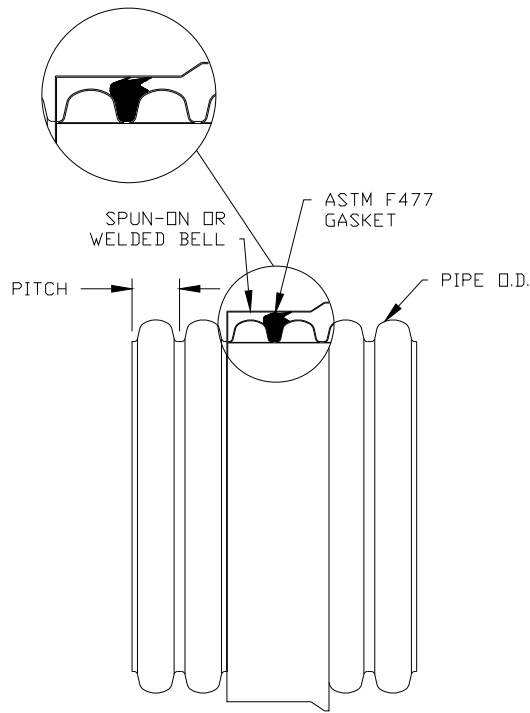
## ADS N-12 ST IB JOINT SYSTEM

(Joint configuration & availability subject to change without notice. Product detail may differ slightly from actual product appearance.)



4" - 10"  
(100-250 MM)

12" - 36"  
(300-900 MM)



4" - 36"  
(100-900 MM)