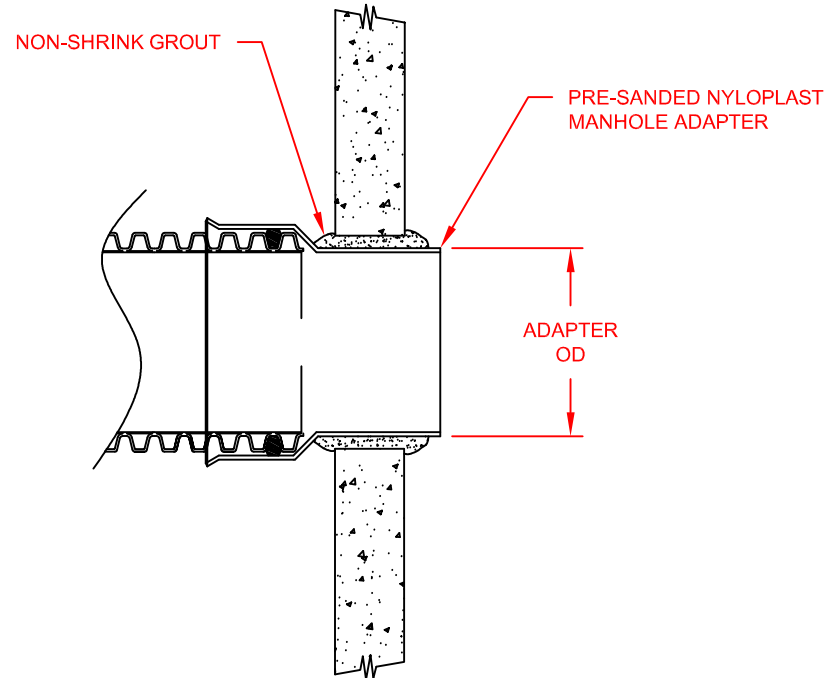


12" - 24" HDPE SOILTIGHT GROUTED MANHOLE CONNECTION W/ NYLOPLAST (SANDED) MANHOLE ADAPTER



PIPE SIZE	ADAPTER OD	ADS PRODUCT CODES
12" (300mm)	12.5" (317.5mm)	1277AG
15" (375mm)	15.3" (388.6mm)	1577AG
18" (450mm)	18.7" (475.0mm)	1877AG
24" (600mm)	24.8" (629.9mm)	2477AG

** FOR USE WITH A PROFILE PIPE ONLY **

NOTES:
SEE STANDARD DETAIL STD-201 AND TECHNICAL NOTE: 5.04
CONNECTIONS TO MANHOLES AND STRUCTURES FOR INSTALLATION
RECOMMENDATIONS.

© 2016 ADS, INC.

4	METRIC UNITS, RENUMBERED AND RENAMED	TJR	01/29/16		
REV.	DESCRIPTION	BY	MM/DD/YY	CHK'D	

ADVANCED DRAINAGE SYSTEMS, INC. ("ADS") HAS PREPARED THIS DETAIL BASED ON INFORMATION PROVIDED TO ADS. THIS DRAWING IS INTENDED TO DEPICT THE COMPONENTS AS REQUESTED. ADS HAS NOT PERFORMED ANY ENGINEERING OR DESIGN SERVICES FOR THIS PROJECT, NOR HAS ADS INDEPENDENTLY VERIFIED THE INFORMATION SUPPLIED. THE INSTALLATION DETAILS PROVIDED HEREIN ARE GENERAL RECOMMENDATIONS AND ARE NOT SPECIFIC FOR THIS PROJECT. THE DESIGN ENGINEER SHALL REVIEW THESE DETAILS PRIOR TO CONSTRUCTION. IT IS THE DESIGN ENGINEERS RESPONSIBILITY TO ENSURE THE DETAILS PROVIDED HEREIN MEETS OR EXCEEDS THE APPLICABLE NATIONAL, STATE, OR LOCAL REQUIREMENTS AND TO ENSURE THAT THE DETAILS PROVIDED HEREIN ARE ACCEPTABLE FOR THIS PROJECT.

12"-24" HDPE SOIL-TIGHT NYLOPLAST ADAPTER MH CONNECTION	
DRAWING NUMBER:	STD-202A



4640 TRUEMAN BLVD
HILLIARD, OHIO 43026

DRAWN BY:	CKS
DATE:	10/10/06
CHK'D BY:	
SCALE:	NTS
SHEET:	1 OF 1